

Reconcile Orphan Resales

Jan 19, 2022

Mike Steigerwald



Agenda

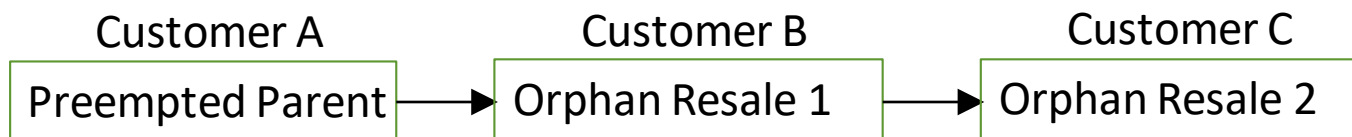
- Reminder on what an Orphan Resale is
- Guidelines for reconciling an Orphan Resale
- Demonstrations

What is an Orphan Resale

- An Orphan Resale is a CONFIRMED Resale for which there is no longer parent capacity to support it (parent capacity has been preempted in full or in part).
- It is the responsibility of the Reseller to “reconcile” or adjust the Orphan Resale on OASIS according to the parent capacity remaining after Preemption.
- If a Resale has in turn been resold again, it is the responsibility of the Assignee of Resale 1 (ie, the Reseller for Resale 2) to reconcile Resale 2.
- Penalties can be levied by BPAT for an unreconciled Orphan Resale which has been scheduled.

Guidelines for Reconciling Orphan Resales

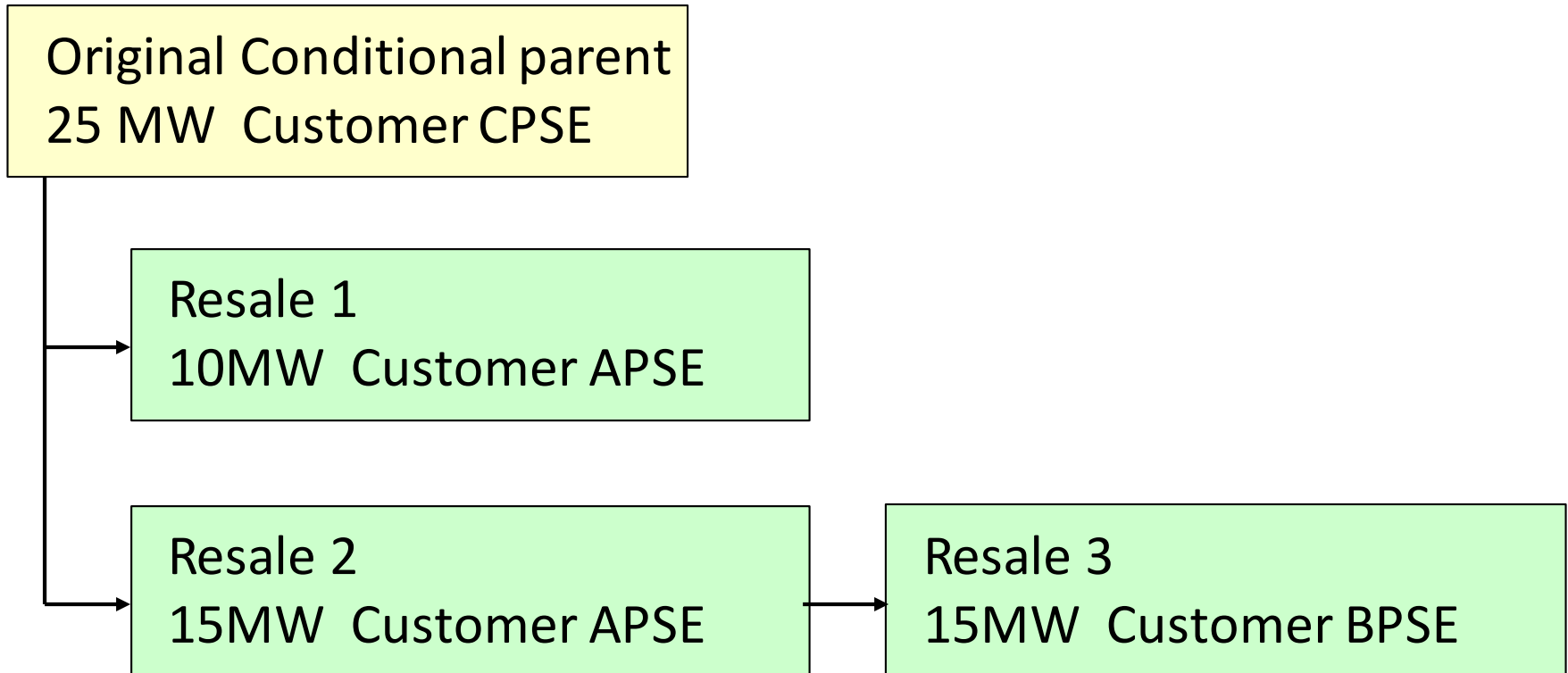
- Two ways of reconciling an Orphan Resale.
 - Annulment of the Resale.
 - Adjust the Resale to reflect a new Reassigned MW.
- Annulment of the Resale is not possible if there are child reservations such as Redirects or Resales. The Reseller must adjust the Resale on OASIS instead.
- If there is a daisy-chain of Resales, then reconciliation should start with the initial Reseller reconciling the earliest Resale first.



Customer A reconciles Resale 1 → Then Customer B reconciles Resale 2

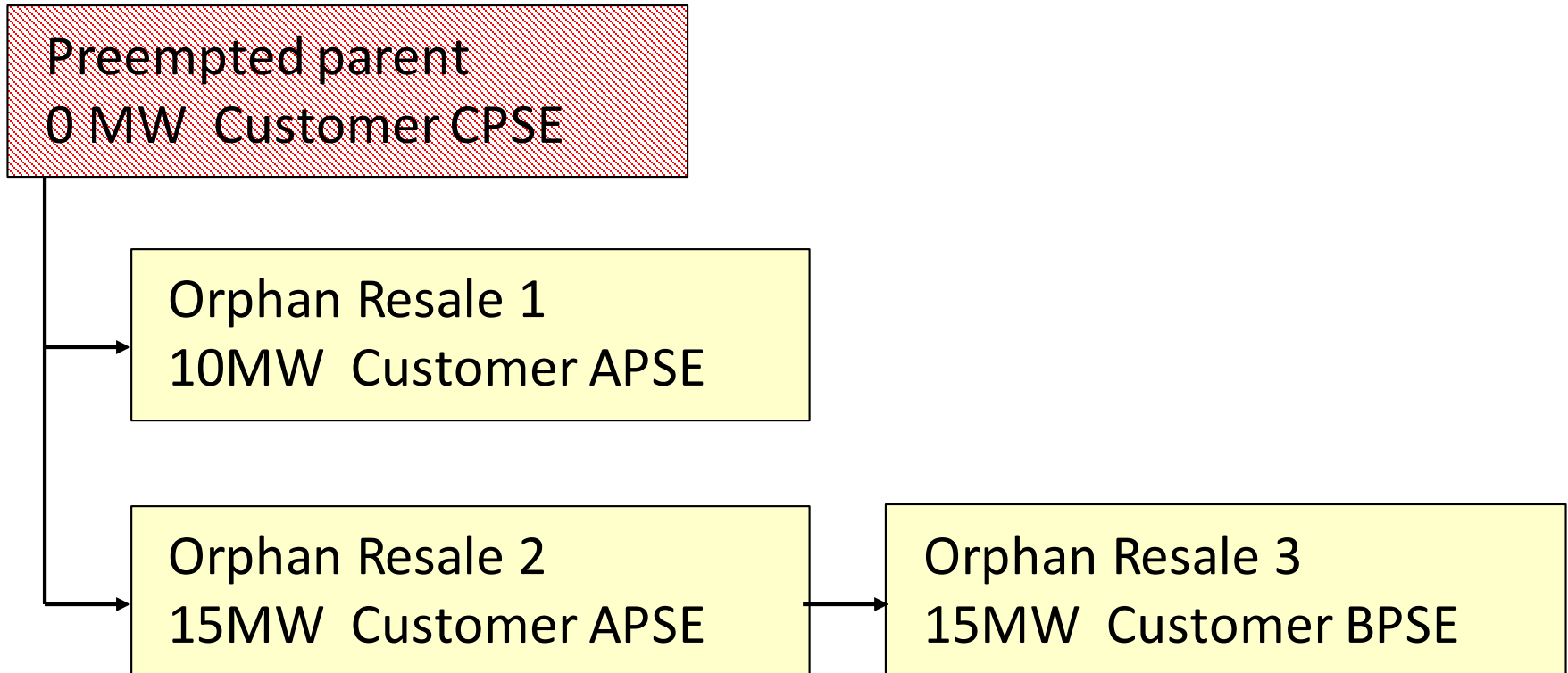
Demonstration Setup: Initial Scenario

- 25MW conditional parent with 2 Resales, one of which has also been resold again.



Demonstration Setup: Create Orphan Resales

- Next, preempt in full the conditional parent. This results in 3 “orphan” Resales that need to be “reconciled”.



Demonstration: Reconciling Orphan Resales

- Reconcile the 3 Orphan Resales.

1. CPSE annuls Resale 1.
2. CPSE tries to annul Resale 2 (blocked).
3. CPSE adjusts Resale 2 to zero.
4. APSE adjusts Resale 3 to zero.

